



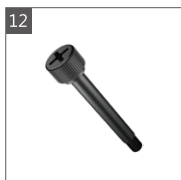
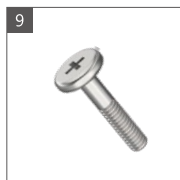
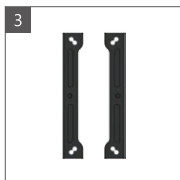
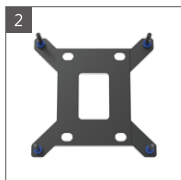
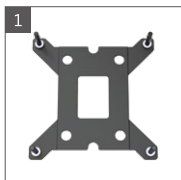
# INSTALLATION GUIDE

X3A4D06-V2

DASHFELLOW



## Components List



1) LGA1200/115X Backplate

2) LGA1700 Backplate

3) LGA20XX/LGA1200/115X Bracket

4) LGA1700 Bracket

5) AM4/AM5 Bracket

6) LGA1200/115X standoff

7) LGA1700 standoff

8) AMD AM4/AM5 standoff

9) AMD Tightening Screw

10) LGA20XX Standoff

11) Tightening Nut

12) Fan-Rad Screw

13) Radiator Screw

14) Thermal Grease

15) Fan Hub

Choose Components for Sockets:

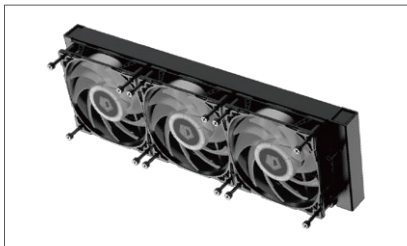
LGA1700: 2 4 7 11 14

AMD AM4/AM5: 5 8 9 14

LGA1200/115X: 1 3 6 11 14

LGA20XX: 3 10 11 14

## Fan & Radiator Mounting



Use the fan-rad mounting screws to secure the fan(s) onto the radiator.



Use the radiator mounting screws to secure the radiator to case panel.

## How to choose the correct bracket

LGA1200/115X+20XX



LGA1200/115X

LGA20XX

LGA1700



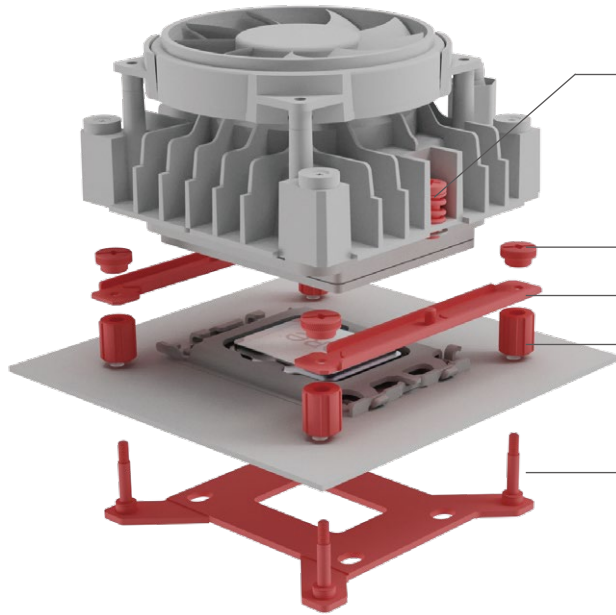
LGA1700

AMD



AM4 / AM5

# Intel LGA1700



## STEP

6 ↓ ↻

5 

4 ↓ ↻

3 ↓

2 ↓

1 ↑

### Component No.

2

4

7

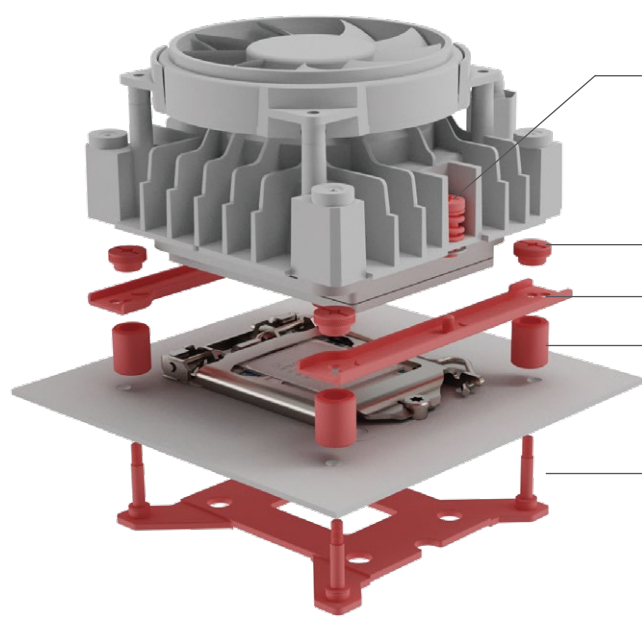
11

14

Watch on Youtube:



# Intel LGA1200/115X



## STEP

6 ↓ ↻

5 📄

4 ↓ ↻

3 ↓

2 ↓

1 ↑

### Component No.

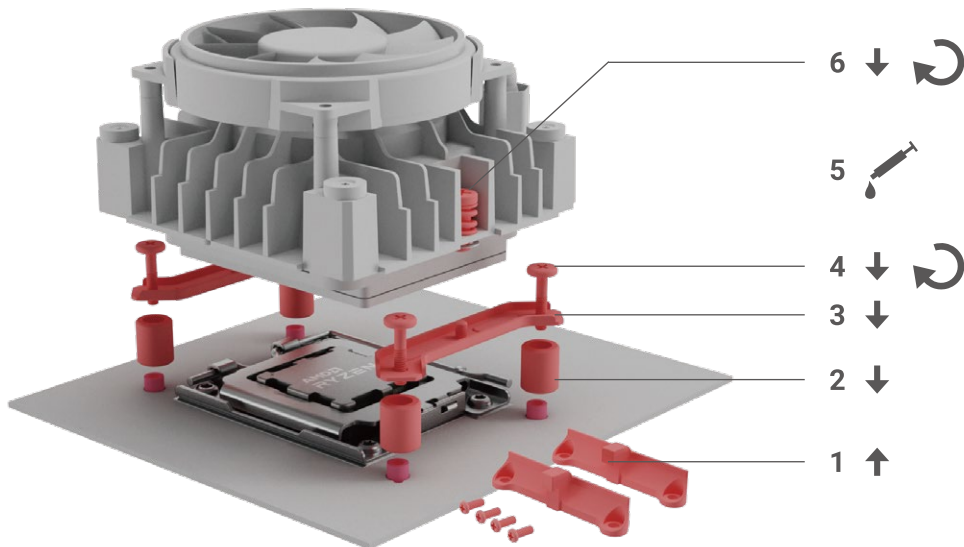
- 1
- 3
- 6
- 11
- 14

### Watch on Youtube:



# AMD AM5

## STEP



### Component No.

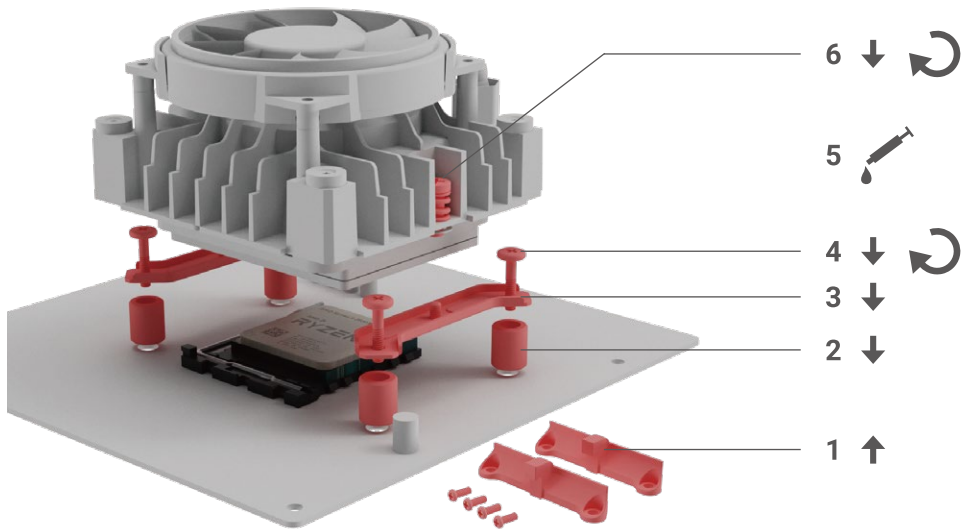
5 8 9 14

Watch on Youtube:



# AMD AM4

## STEP



### Component No.

5 8 9 14

### Watch on Youtube:





## Ports & Connection

Please make sure you're connecting the cables when PC is powered off.

---

F1 ..... F8

These 8 ports are designed for fans'PWM headers.

Special Note:

If you connect non-PWM fans, they will run at full speed.

Only F-1's fan rpm signal can be detected.Other ports won't be detected.

L1 ..... L8

These 8 ports are designed for 8 ARGB fans/LED strips.

P.S.L

P.S.L stands for PWM,Signal and LED.

PWM and fan rpm signal will be transmitted by thesmall 4pin connected to Motherboard 4pin PWM fan header.

LED signal will be transmitted by the 3pin ARGB header connected to Motherboard ARGB header.

## MB RGB SYNC



ASUS: ADD\_HEADER



MSI: JRainbow

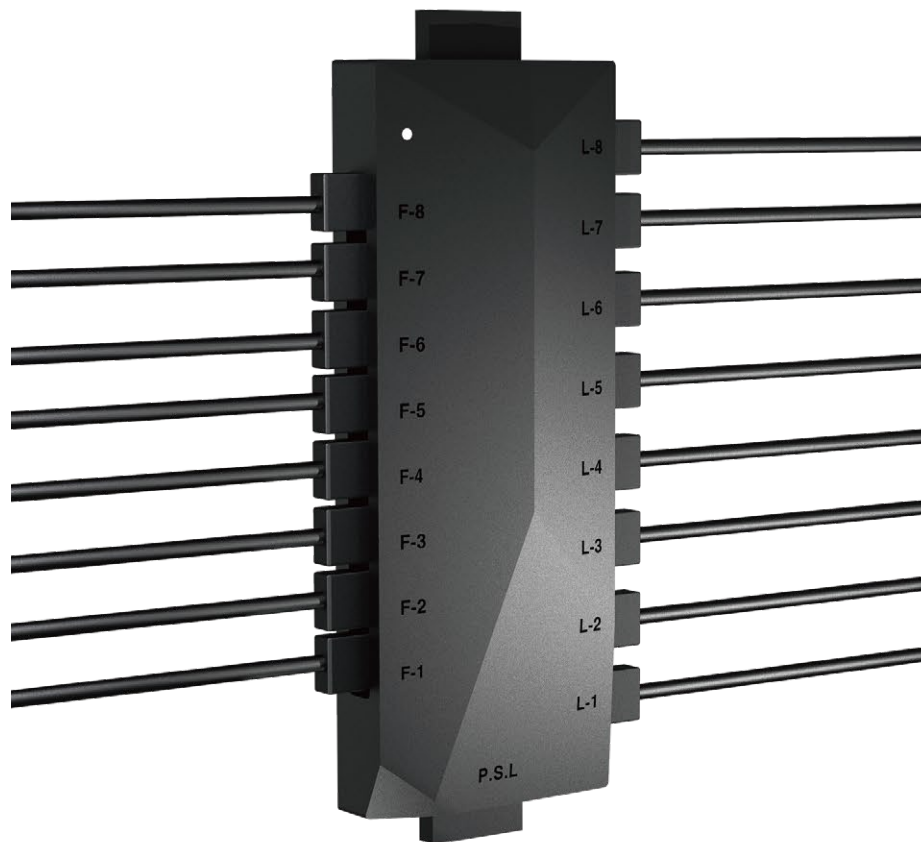


GIGABYTE: D\_LED



ASRock: ADDR\_LED

Please don't forget to download RGB Sync software that is compatible withyour motherboard and just RGB color and mode in the software.



Fan Hub

If You Have Questions,

1. Please ask for professional help if you don't know how to install.
2. Make sure you're working on a power-off PC.
3. If you have any doubt about components list or product itself, please contact your original reseller/retailer/etailer.
4. ID-COOLING is always ready to offer our support. You can find the contact information below.
5. Descriptions are for your reference. Different models may vary in terms of components list.

SHENZHEN BUYEASY CO., LTD.  
[www.idcooling.com](http://www.idcooling.com)  
[support@idcooling.com](mailto:support@idcooling.com)



[idcoolingglobal](https://www.facebook.com/idcoolingglobal)



[youtube.com/c/idcooling](https://www.youtube.com/c/idcooling)



SHENZHEN BUYEASY CO., LTD.

[www.idcooling.com](http://www.idcooling.com)

[support@idcooling.com](mailto:support@idcooling.com)



[idcoolingglobal](https://www.facebook.com/idcooling)



[youtube.com/c/idcooling](https://www.youtube.com/c/idcooling)